

www.luxform.com/files/GBSO01_Solar_1.pdf

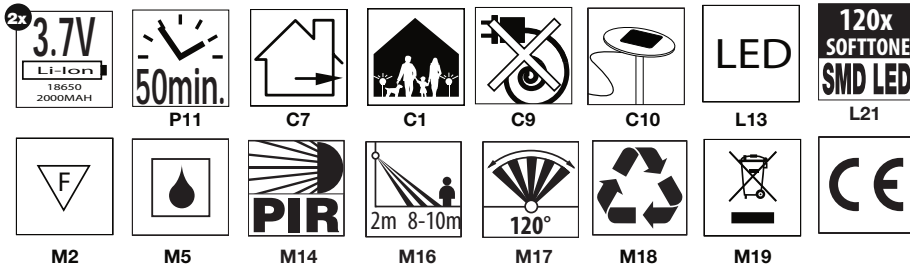
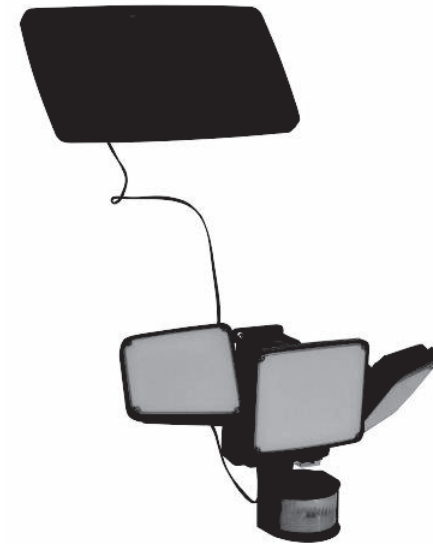


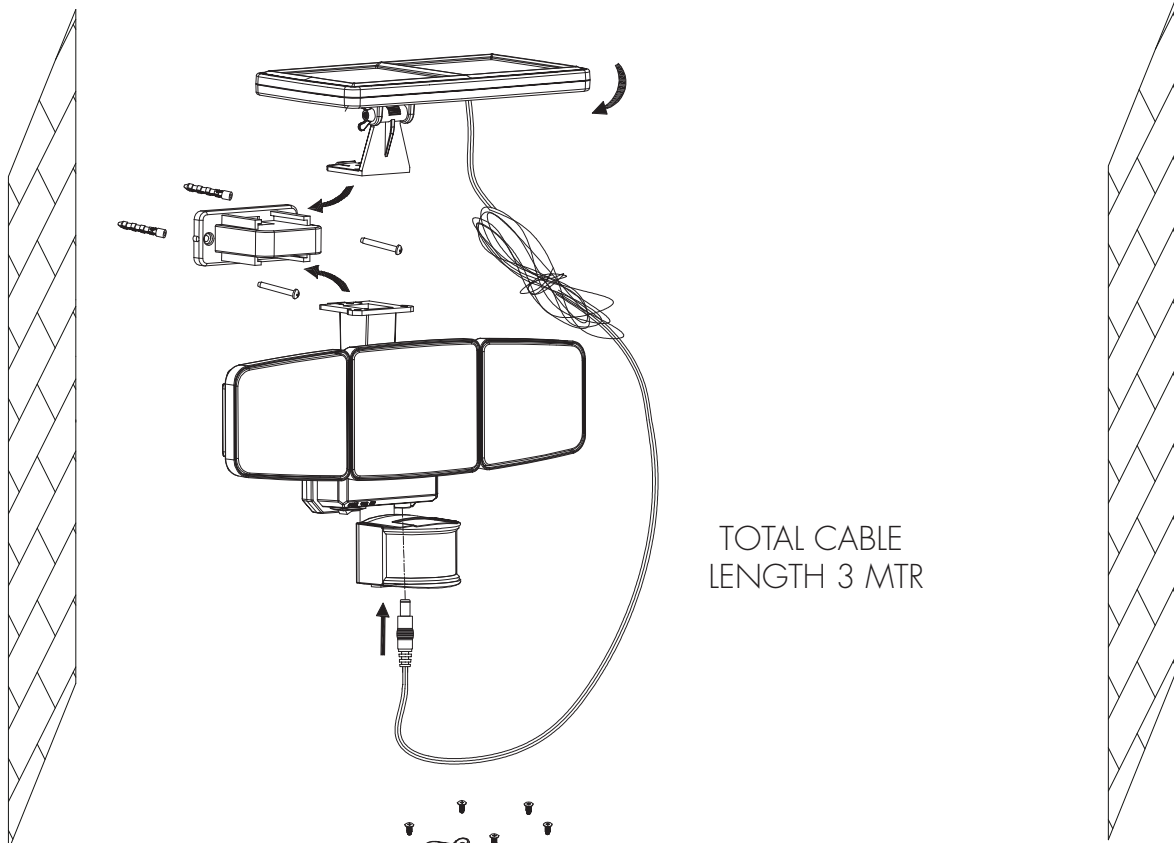
NL
GB
DE
FR
PT
S
FIN
N
DK
GR
CZ
PL
SI
RO
LT
EST
LV
H
RUS

Scan mij voor meer informatie
Scan me for more information
Scannen Sie mich für weitere Informationen
Flashez moi pour plus d'informations
Escanear me para más información
Digitalizar me para mais informações
Scansione me per ulteriori informazioni
Skanna mig för mer information
Skannata kerron lisää
Skanne meg for mer informasjon
Scanne mig for mere information
σάρωση μου για περισσότερες πληροφορίες
Skenovani me pro vice informáci
Skanować mi więcej informacji
Skeniranje me za več informacij
Scanare ma pentru mai multe informații
Nuskaityti manęs daugiau informacijos
Skaneerida minuga rohkem teavet
Skenet ar mani vairak informacijas
Atkutat én további információkat
сканировать мной для получения
дополнительной информации

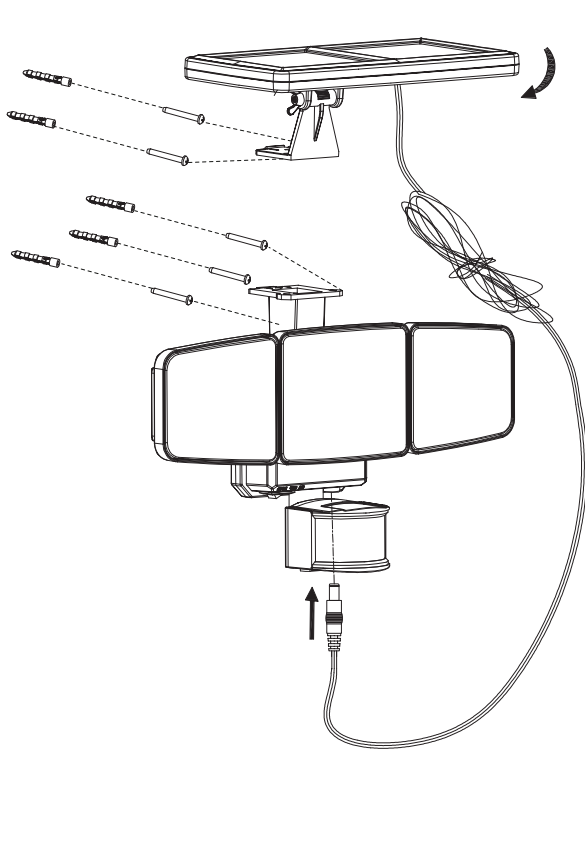


SOLAR SECURITY LIGHT LA RIOJA ADJUSTABLE LED PANELS SEPARATE SOLAR PANEL

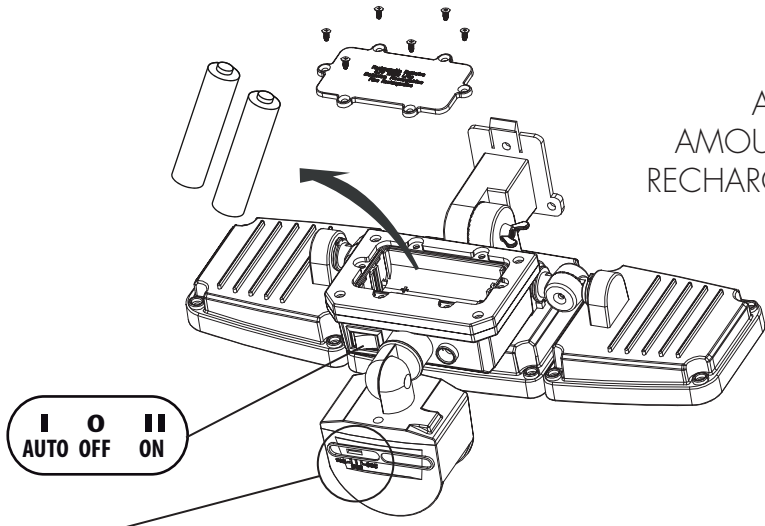




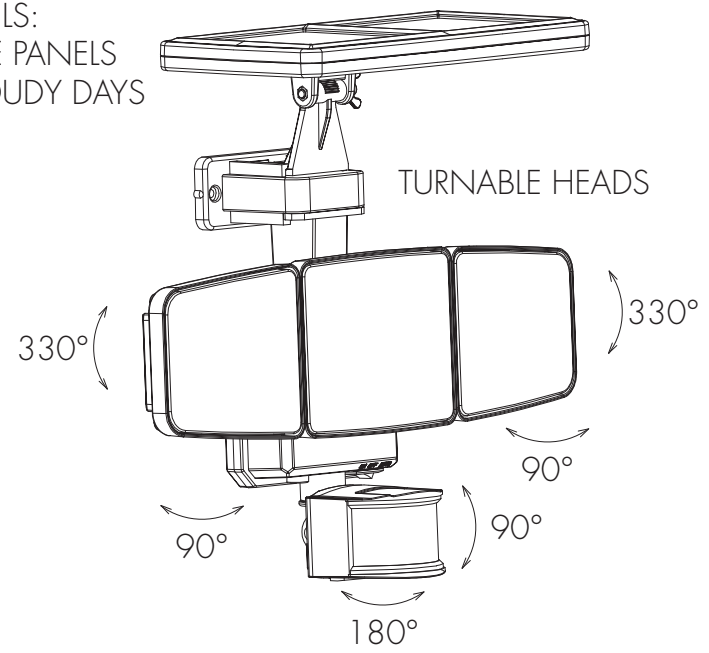
TOTAL CABLE LENGTH 3 MTR



ALL WEATHER TYPE SOLAR PANELS:
AMOURPHOUS AND POLYCRYSTALLINE PANELS
RECHARGES AT BOTH SUNNY AND CLOUDY DAYS



I O II
AUTO OFF ON



Max. 2500 LUMEN illuminated time is 50 minutes with a **fully charged battery**.
Equivalent to 100 switching moments of 30 seconds
Or equivalent to 50 switching moments of 60 seconds
Or equivalent to 25 switching moments of 120 seconds

